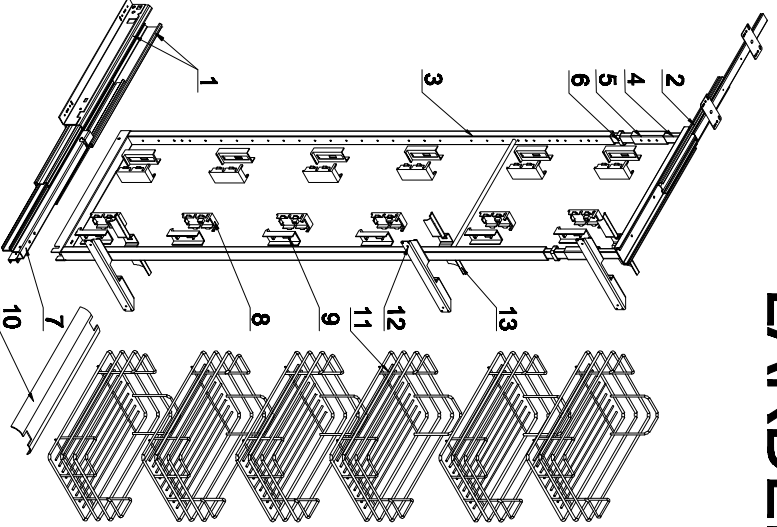


LARDER UNIT Assembly and Fitting Instructions

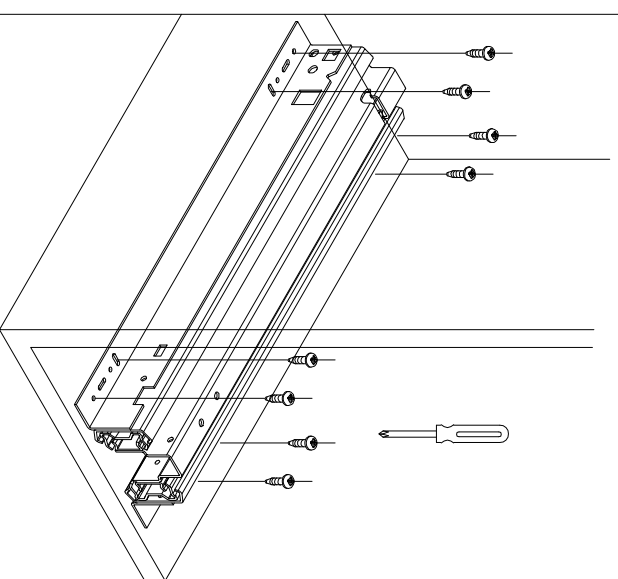


- 1-Bottom slide 1set
- 2-Upper slide 1set
- 3-Frame(big) 1pc
- 4-Frame(small) 1pc
- 5-Glide cover 2pcs
- 6-Protection ring 2pcs
- 7-Frame Base 1pc
- 8-Clip-on button I 8/10/12pcs
- 9-Clip-on button II 8/10/12pcs
- 10-Bottom cover 1pc
- 11-Basket 4/5/6pcs
- 12-Bracket II 2/3pcs
- 13-Bracket I 2/3pcs

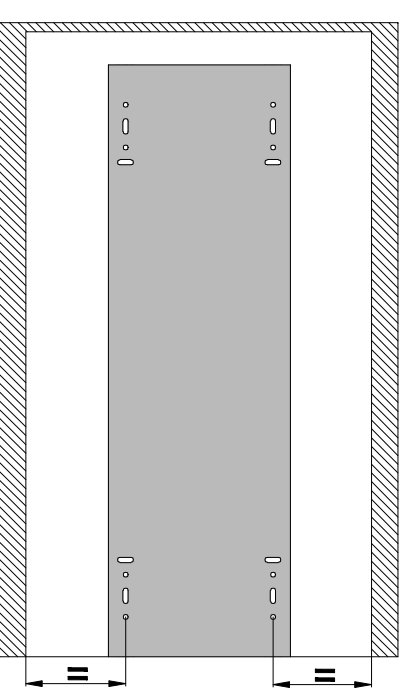
IMPORTANT:
Two different height frame,
2/3 sets brackets and 4/5/6 pcs basket to fit.

Net Height of Cabinet (mm)	Width of Cabinet (mm)	Net Depth of Cabinet (mm)	Basket (pcs)	Brackets (sets)
1190~1650	300	450	4	2
	400			
	450			
1690~2175	450	450	5/6	3
	500			
	600			

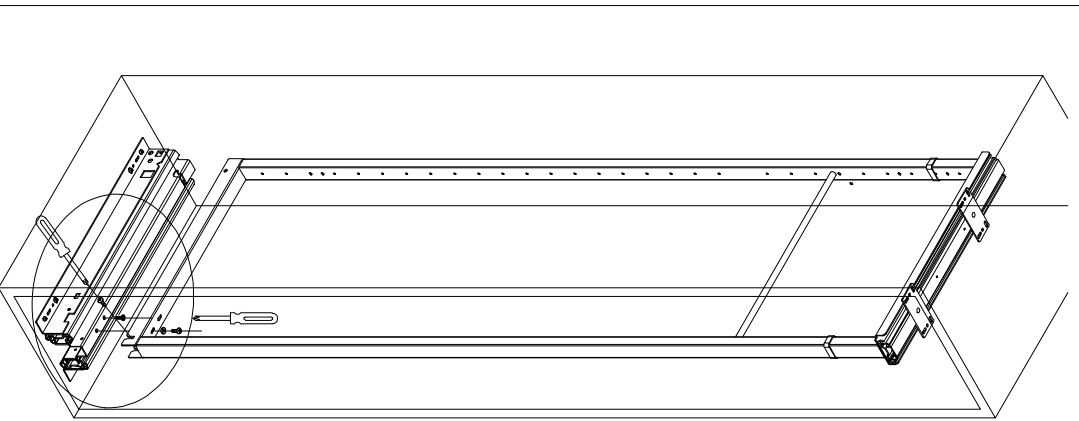
1 Fit the bottom slide.



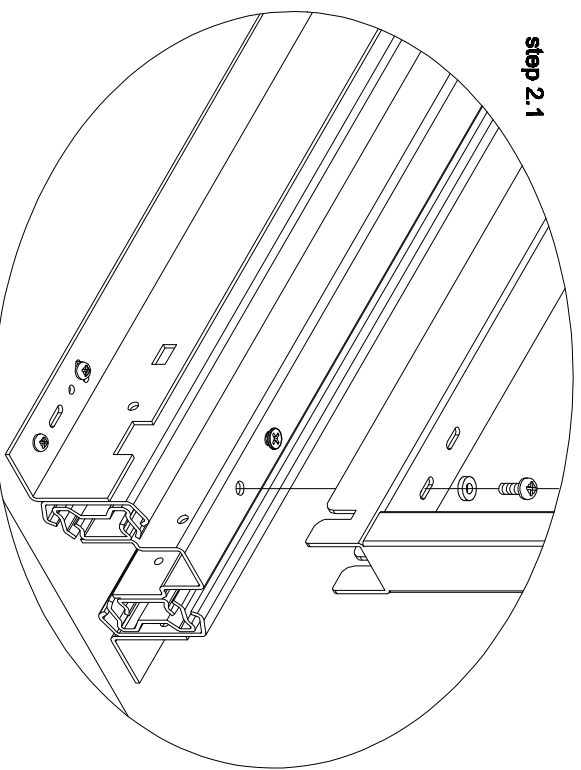
Adhbit the template 1 on the bottom of the cabinet and tighten the slides by screws.



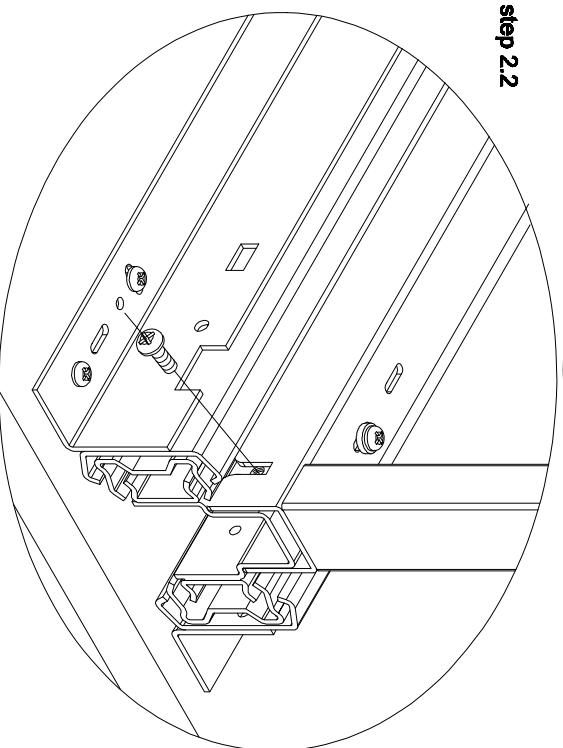
2 Install frame.



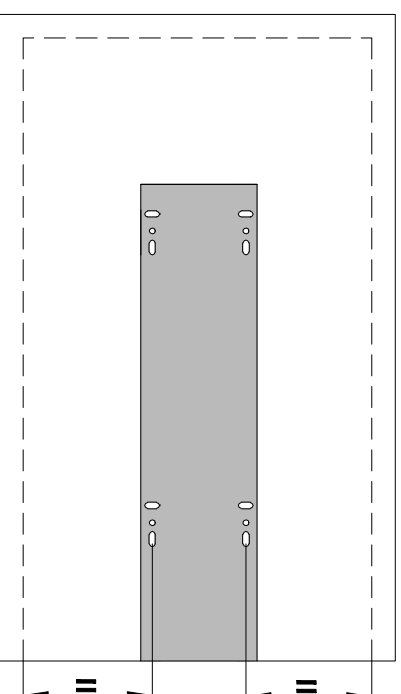
step 2.1



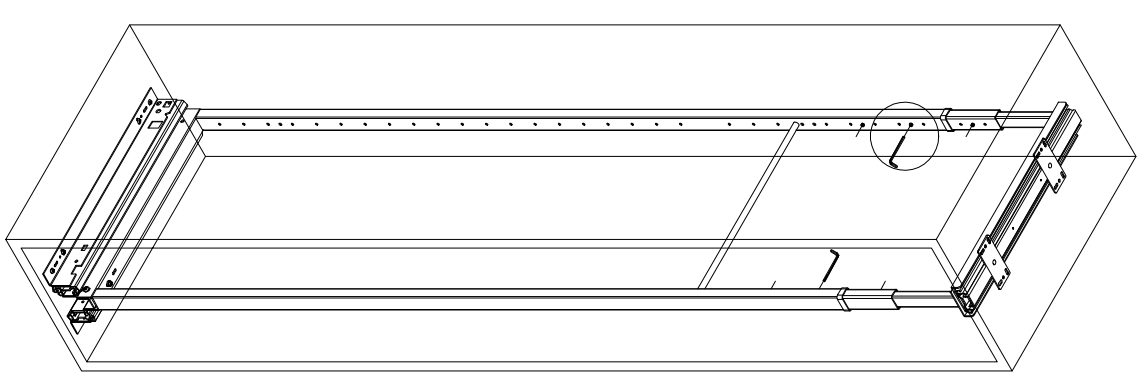
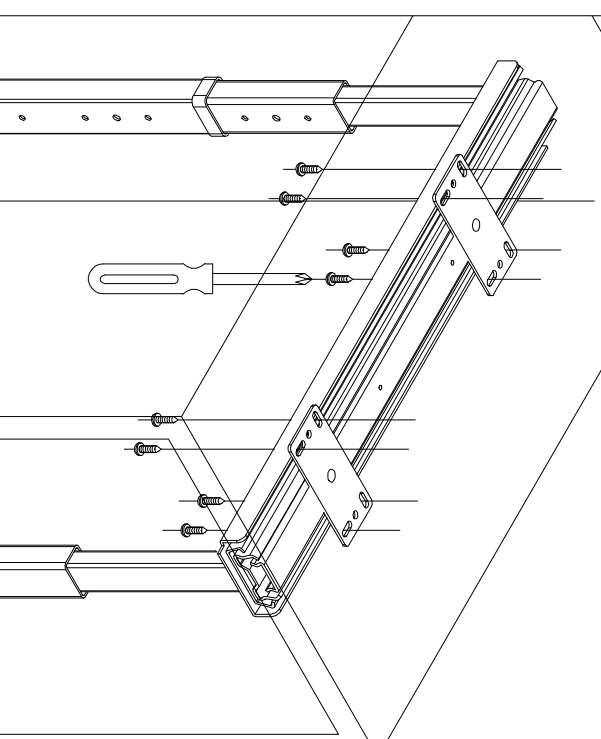
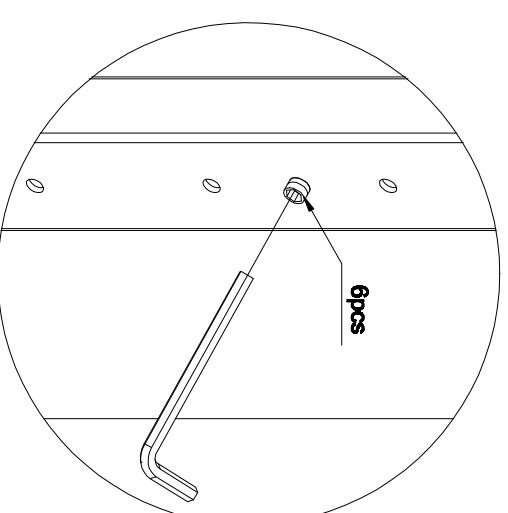
step 2.2



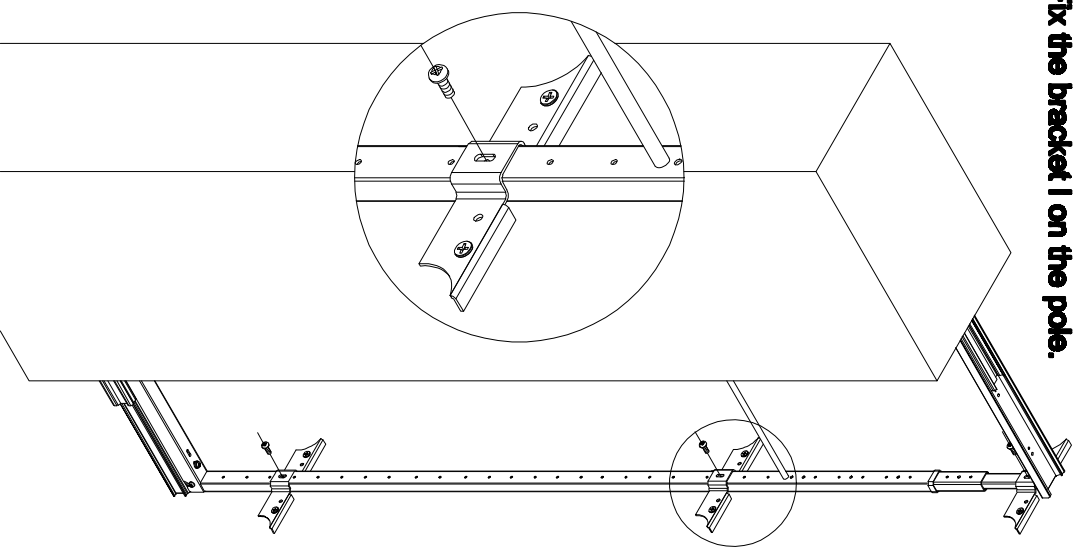
3 Install upper slide.



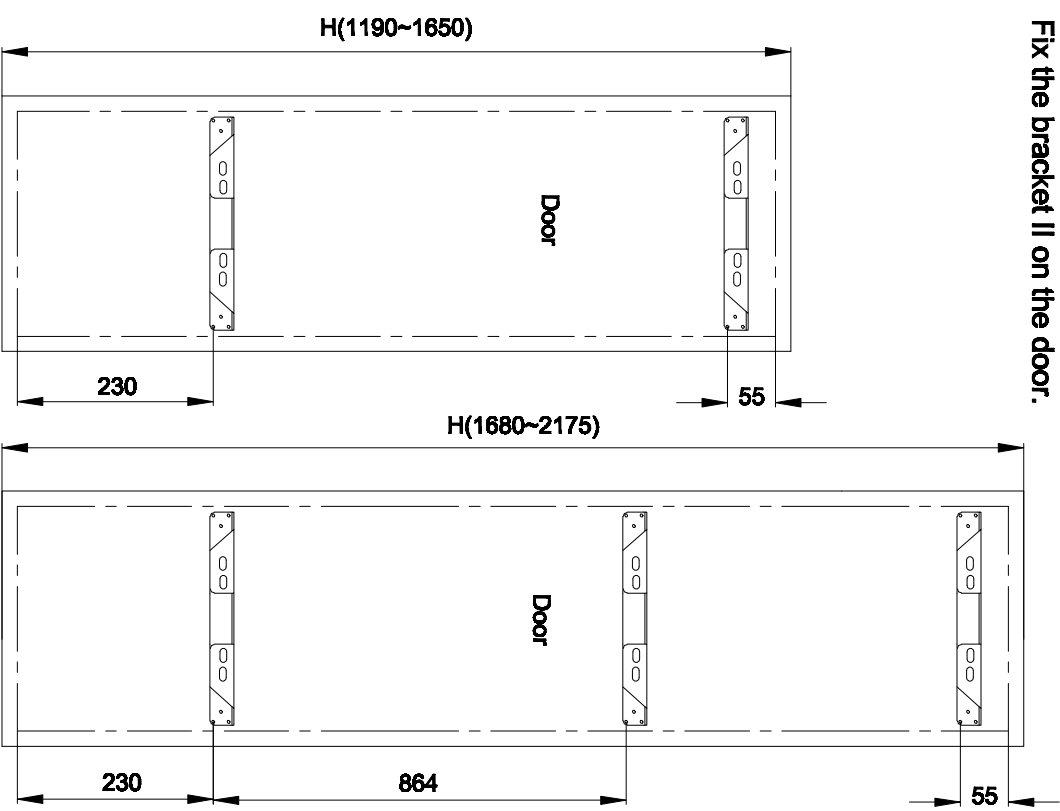
Adhbit the template 2 on the top of the cabinet tighten the slides by screws and tighten the 2 frames by wrench.



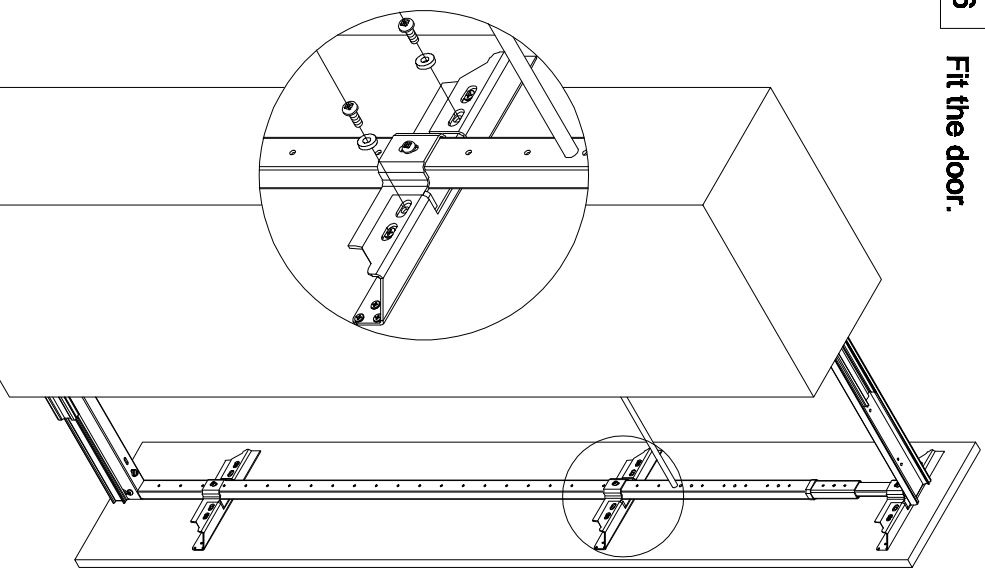
4 Fix the bracket I on the pole.



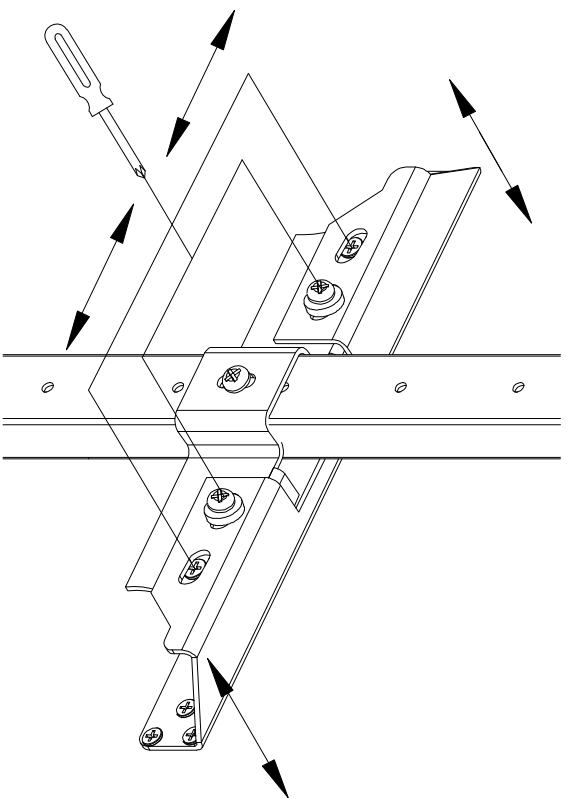
5 Fix the bracket II on the door.



6 Fit the door.

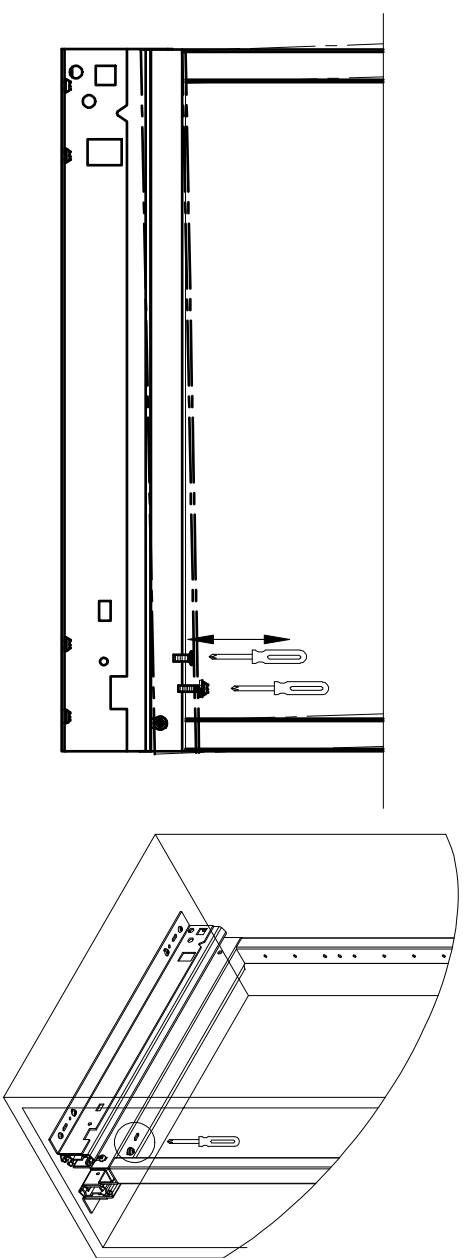


7



IMPORTANT:
 Make the door closed to the cabinet
 by regulating the screws

8 Adjust the screw and and lock another screw tightly to make the slide pull-push easily.



9 Assembly the bottom cover , clip-on buttons, baskets.

