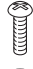

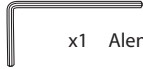







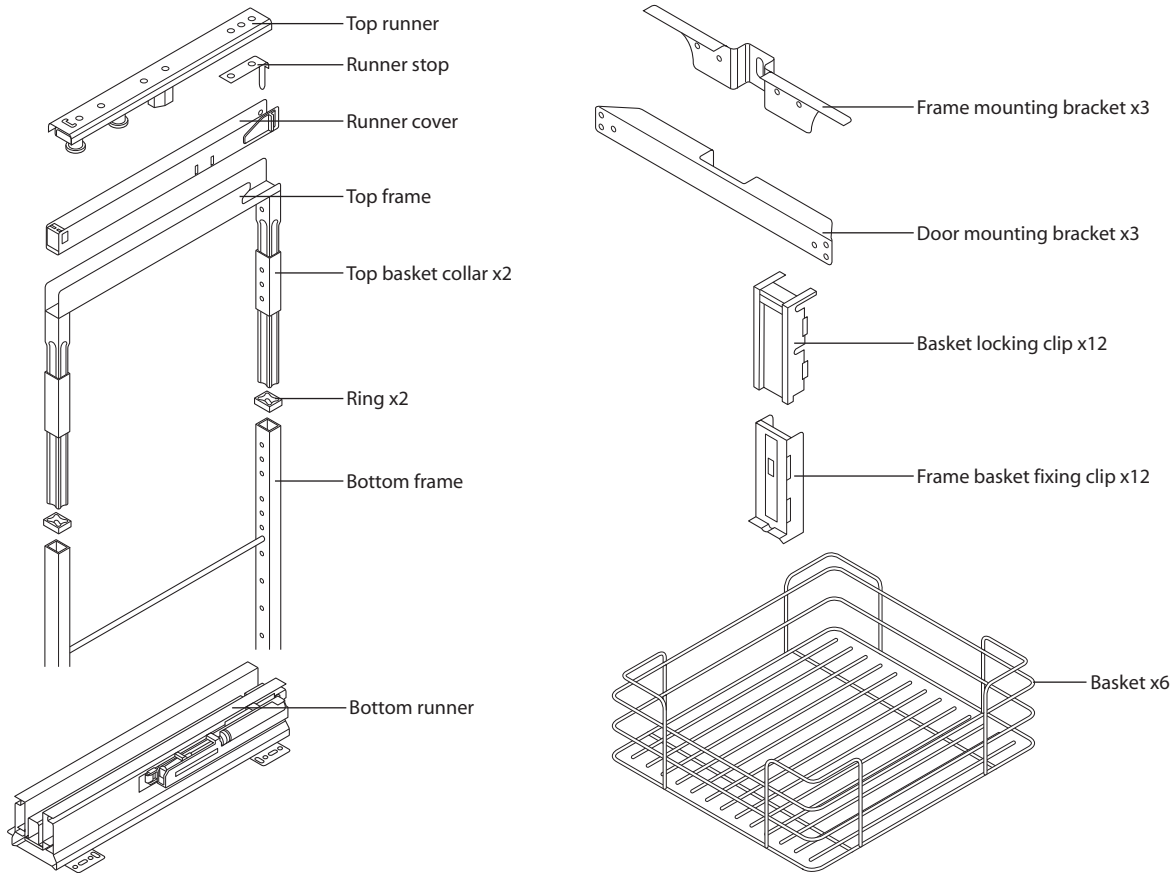


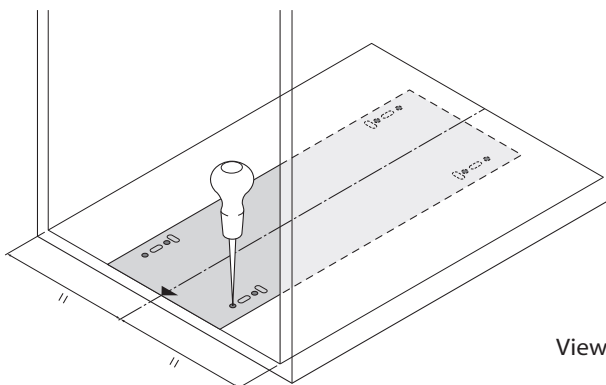
! *IMPORTANT - The unit has a maximum loading limit of 100kg. Load should be evenly distributed across all baskets with maximum load capacity for each basket not exceeding 17kg.*

- Parts**
- | | | | | | | | | | | | |
|----------|---|-----|------------------------------|----------|---|----|-----------------------------|----------|---|----|---|
| A |  | x1 | M6 x 20mm screw | E |  | x3 | M4 x 8mm countersunk screw | K |  | x1 | Alen key |
| B |  | x7 | M6 washer | F |  | x6 | M6 x 12mm screw | L |  | x6 | M5 Grub screw
(pre installed in frame) |
| C |  | x1 | M6 x 16mm countersunk screw | G |  | x6 | M6 x 12mm countersunk screw | | | | |
| D |  | x32 | 3.5 x 16mm countersunk screw | H |  | x3 | M5 x 12mm screw | | | | |

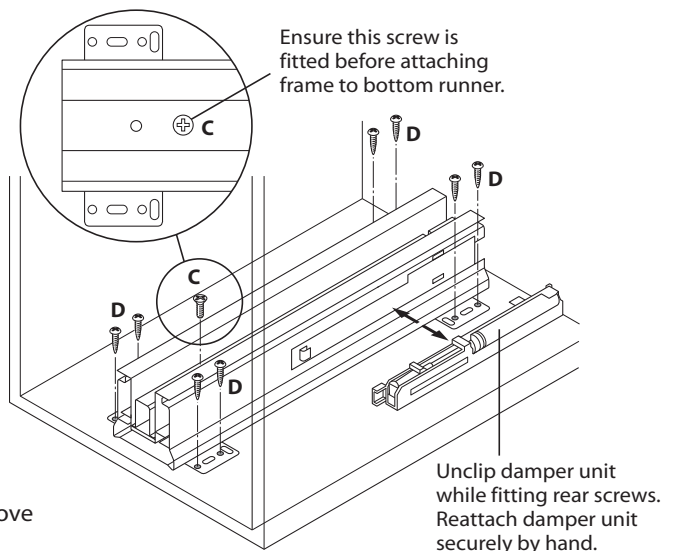


! *Please ensure that all the above fittings are present before installation begins.*

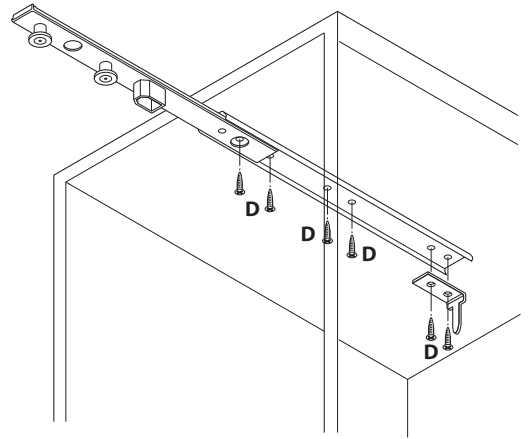
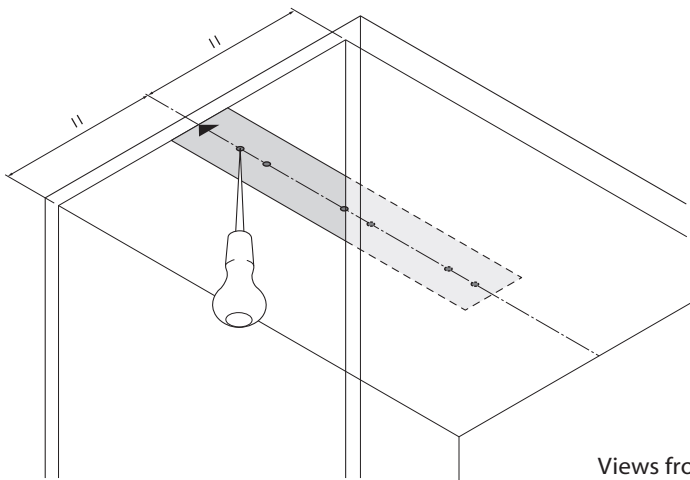
- 1** Align template on centre line of cabinet base and mark 8 screw fixing positions.
Screw bottom runner to cabinet base.



Views from above

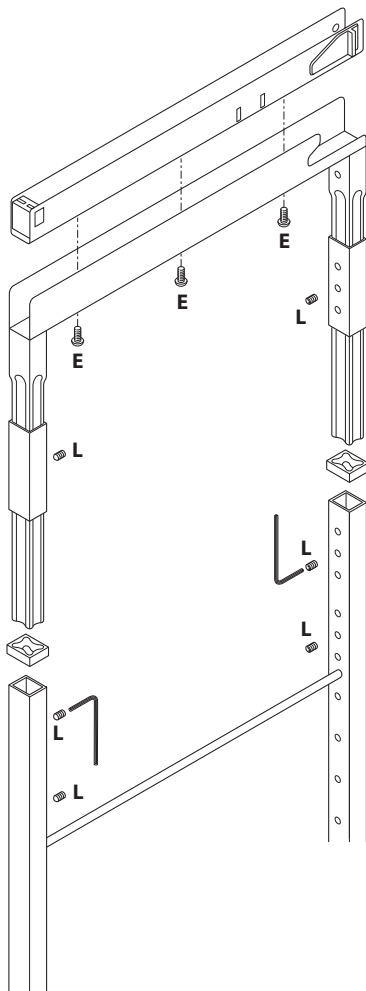


- 2** Align template on centre line of cabinet top and mark 6 screw fixing positions.
Screw top runner to cabinet top ensuring runner stop is fitted.

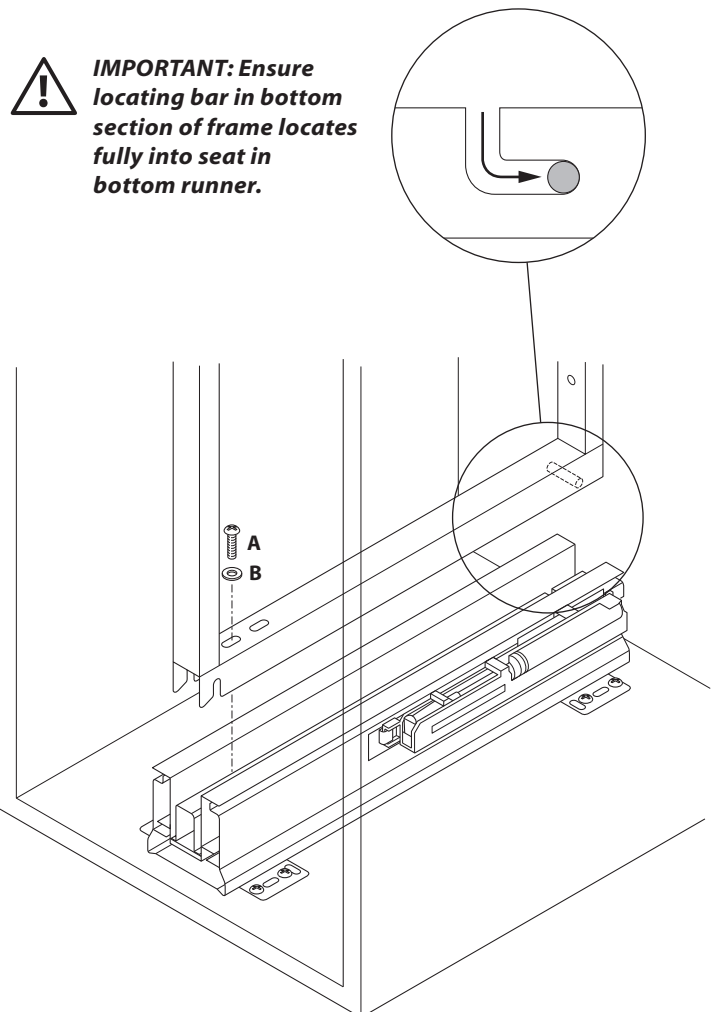


Views from below

- 3** Assemble frame and attach top runner cover.



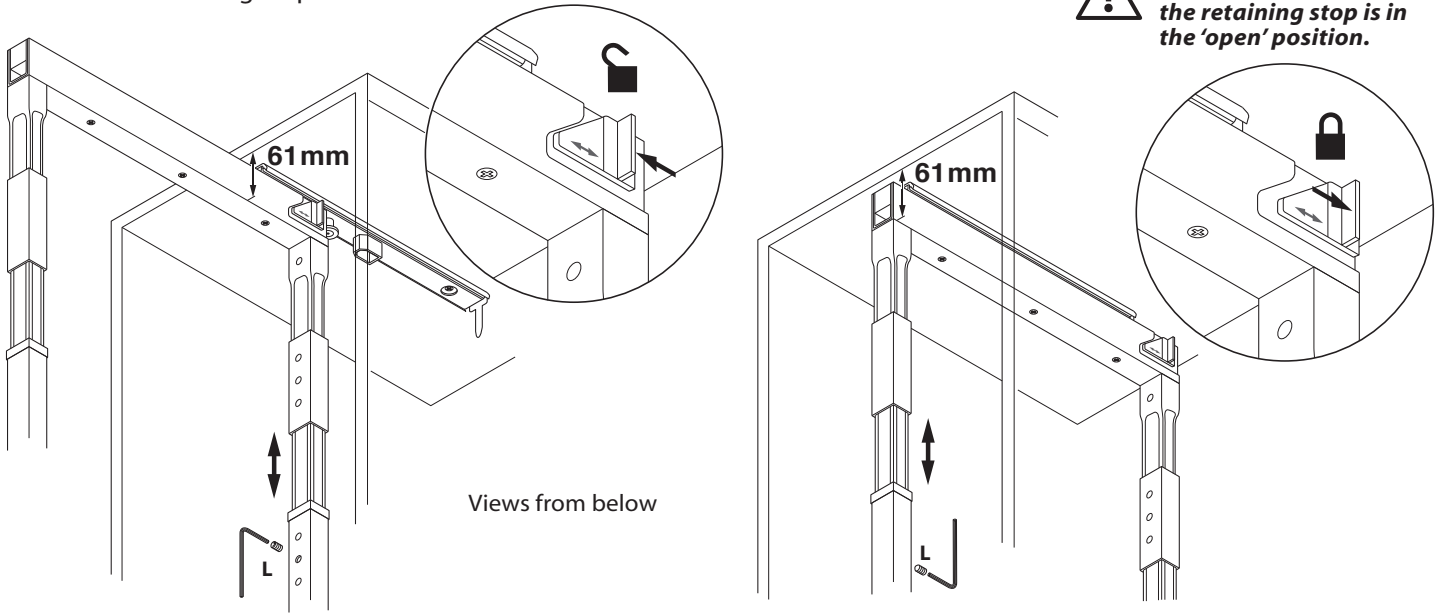
- 4** Attach frame to bottom runner.



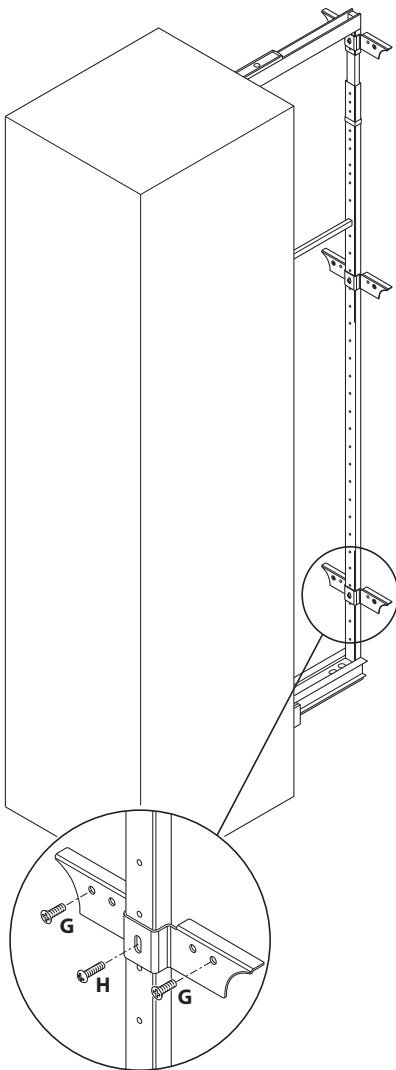
- 5** Ensure the retaining stop is released and insert top runner into top of frame.
Use grub screws on forward and rear frame uprights to adjust height to **61mm**.
Lock the retaining stop.



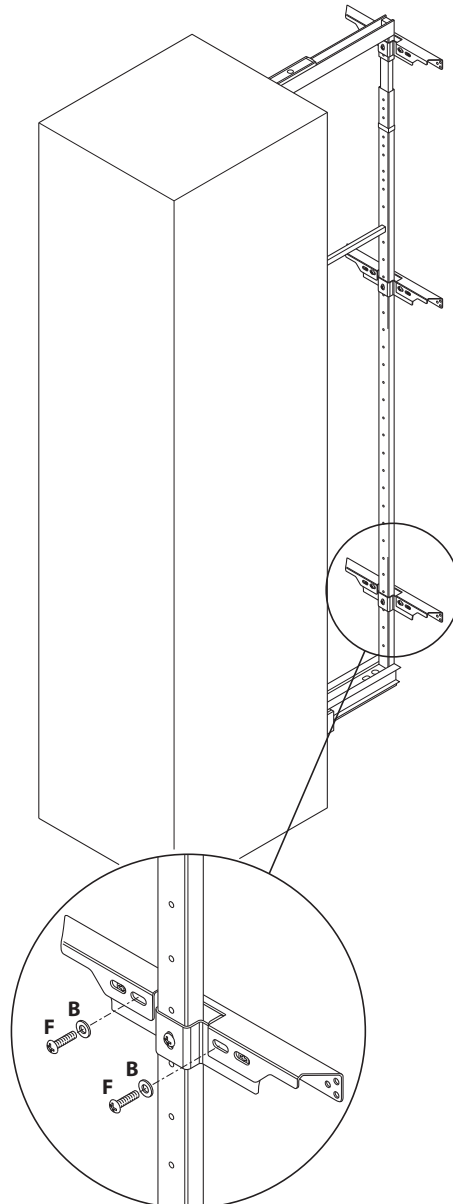
WARNING: Unit must never be operated whilst the retaining stop is in the 'open' position.



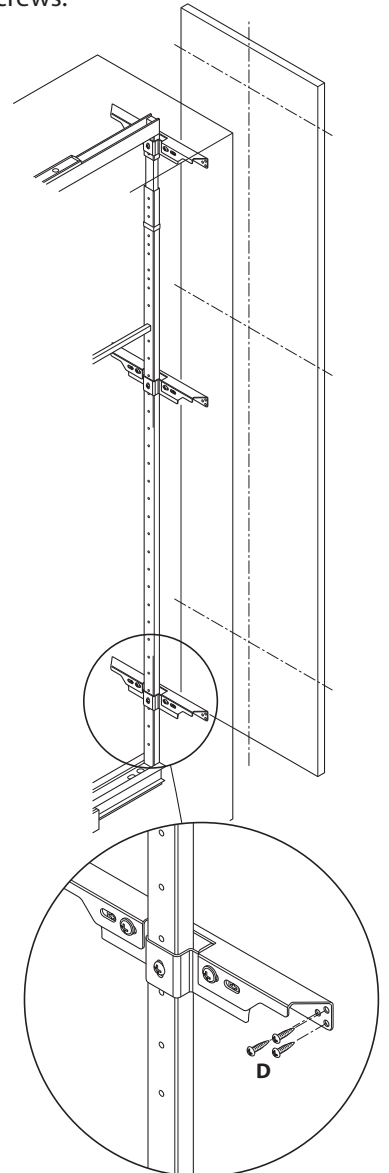
- 6** Fit adjustment screws to frame brackets and attach frame brackets to frame upright.



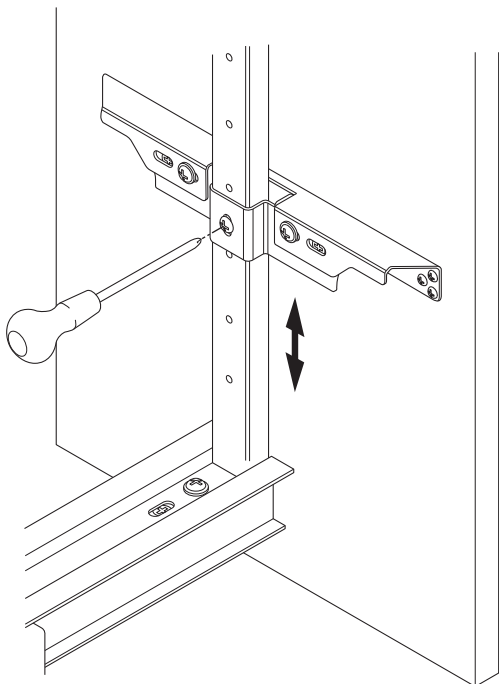
- 7** Fit door brackets to frame brackets.



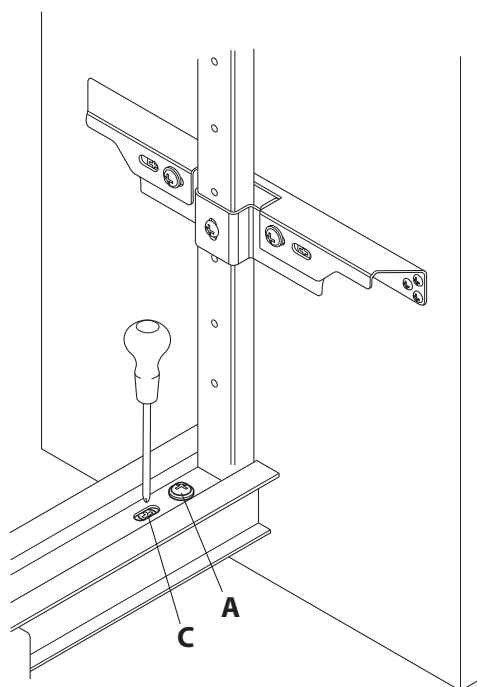
- 8** Offer door to frame. Mark and fix screws in two positions. Check door alignment before marking and fixing the remaining screws.



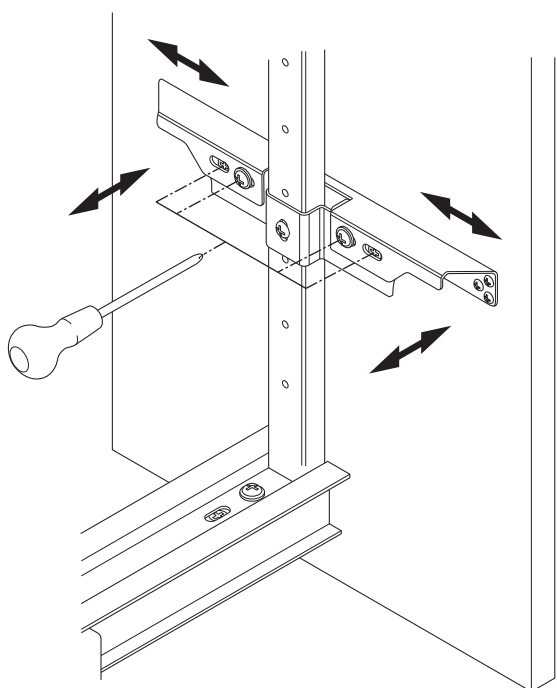
- 9** Adjust vertical door alignment with the 3 door bracket screws.



- 10** 'Fine' adjustment of the vertical alignment of the door can be achieved by loosening screw A and adjusting screw C. Ensure screw A is secured firmly after adjustment.



- 11** Adjust the horizontal and lateral door alignment with screws on the door brackets.



- 12** Attach the frame basket clips to the frame and position the baskets. Attach basket locking clips to secure baskets - snap fit connection.

