

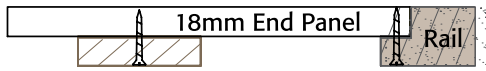
# Guide to Fitting Multi-Purpose Rail & Radius Rail

## Multi-Purpose Rail

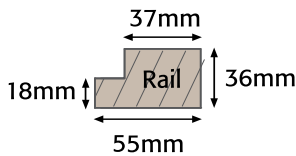
Can be used in various applications including Cornice, Pelmet, Gable Ends, Pilasters and to Box Around a Group of Units.

### Gable End Fitting

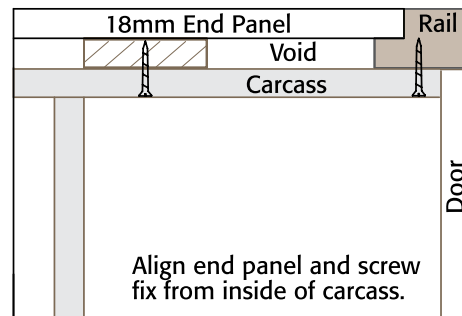
#### Step 1 - Assemble End Panel & Rail



Screw fix 36mm rail and fillet to end panel.



#### Step 2 - Fix to Carcass



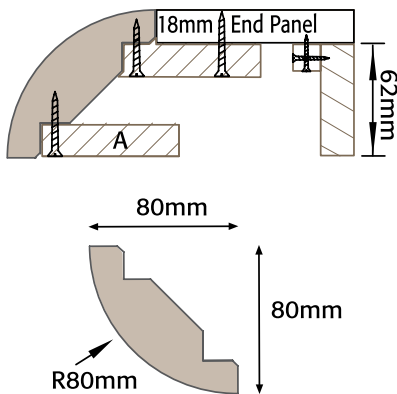
Align end panel and screw fix from inside of carcass.

## Radius Rail

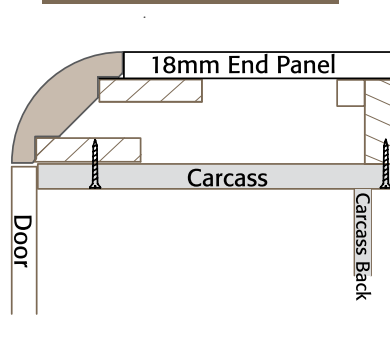
Can be used in various applications including Cornice, Gable Ends and Pilasters etc.  
Note: when using on base units as gable ends, ensure the fillet facing the carcass is matching as this will be visible next to the plinth. (See step 1, Panel A)

### Gable End Fitting

#### Step 1 - Assemble End Panel & Rail

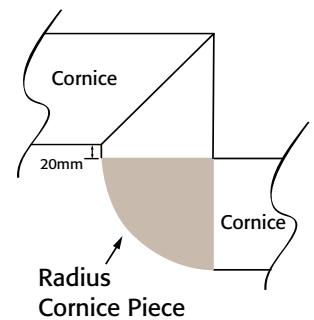


#### Step 2 - Fix to Carcass



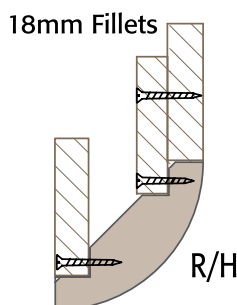
### Using Radius Rail with Cornice and Stepping Units

When using Radius Rail, Tangent Cornice, Tangent Cornice Piece and stepping units please ensure to step units out at least 100mm (80mm Radius Rail + 20mm) to allow Cornice to return into back of Radius Cornice piece.



## Radius Rail Stepped Unit Fitting (Base Units)

#### Step 1 - Fix 18mm Fillets to Rail



#### Step 2 - Fit to Carcass

